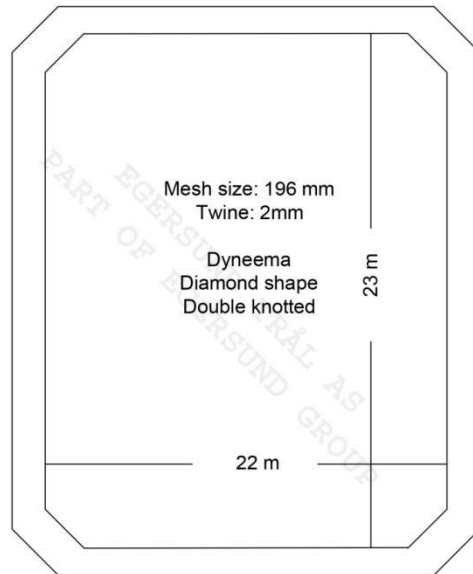
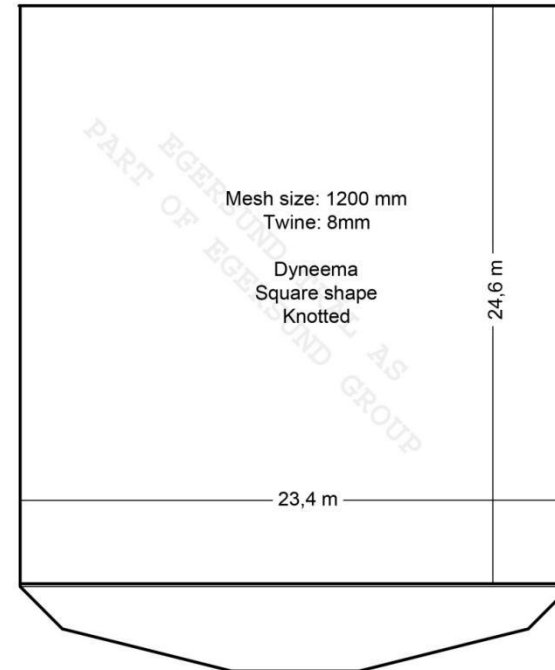


**Marine mammal exclusion device part 1  
for Krill beam trawl 23 x 23 m**



**Marine mammal exclusion device part 2  
for Krill beam trawl 23 x 23 m**



Date:	Design by:		Trawl:
23.04.25	W.H.V.		Krill
Approved:	Length:		Ship:
Egersund Trål A/S Tel: 0047 51 46 29 00 Email: post@egersund-tral.no www.egersundgroup.no			

Date:	Design by:		Trawl:
23.04.25	W.H.V.		Krill
Approved:	Length:		Ship:
Egersund Trål A/S Tel: 0047 51 46 29 00 Email: post@egersund-tral.no www.egersundgroup.no			